

US Series

AC/DC Adaptor **12W** Series Wall Mount



▲ **US112/US312**



▲ **USL112/USL312**



▲ **USY312**



▲ **USZ312**



▲ **USE312**



▲ **USR312**



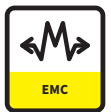
▲ **USK312**



▲ **USA312**



■ Please contact our sales department for safety standard of each model.



Product Highlights

- Stability
- Compact type
- Energy efficiency
- Suit GPS, network, multimedia, audio & video equipment

Efficiency

- Meet Coc V Tier2

Immunity

- EN55024/A1:2001

Protection

- Short circuit protection
- Over Voltage Protection
- Over Current Protection

Emissions

- FCC Part15 Class B
- CE CISPR 32 Class B
- VCCI Class B
- CNS13438
- GB9254/GB17625.1
- AS/NZS CISPR32
- TP TC 020/2011

Safety Approvals

- UL60950
- CAN/CSA C22.2 NO. 60950
- PSE
- IEC/EN60950-1
- IEC/EN60065
- CNS14336
- GB4943.1
- AS/NZS 60950.1
- TP TC 004/2011

Electrical Spec Absolute Maximum Rating

Input					
Description	Min	Typ	Max	Units	Comment
Voltage	90	100~240	264	VAC	
Frequency	47	50/60	63	Hz	

Environmental					
Description	Min	Typ	Max	Units	Comment
Operating Temperature	0	-	40	°C	Free Convection,Sea level
Storage Temperature	-20	-	65	°C	Free Convection,Sea level
Operating Humidity	5	-	95	%RH	No Condensing
Storage Humidity	5	-	95	%RH	No Condensing

Typical model list

Input Condition	DC Output Voltage	DC Output Current	Output Voltage Precision	Ripple	Noises	Regulation		Option/Remark	
						Line	Load		
Input Voltage: 90V-264Vac Frequency: 47-63Hz	1	3V	2.0A	-5%~+8%	50mV	100mV	2%	10%	Models marked "*" can support additional constant current function.
	2	3.3V	2.0A	-5%~+8%	50mV	100mV	2%	10%	
	3	5V	2.0A	±5%	50mV	100mV	2%	10%	
	4	5V	2.3A	±5%	50mV	100mV	2%	10%	
	5	5.5V	2.0A	±5%	180mV	180mV	2%	10%	
	6	7V	1.4A	±5%	70mV	140mV	2%	10%	
	7	7V	1.6A	±5%	70mV	140mV	2%	10%	
	8	7.5V	1.6A	±5%	100mV	150mV	2%	10%	
	9	9V	1.3A	±5%	100mV	150mV	2%	10%	
	10	12V	1.0A	±5%	120mV	240mV	2%	10%	
	11	15V	0.8A	±5%	150mV	300mV	2%	10%	
	12	24V	0.5A	±5%	240mV	480mV	2%	10%	

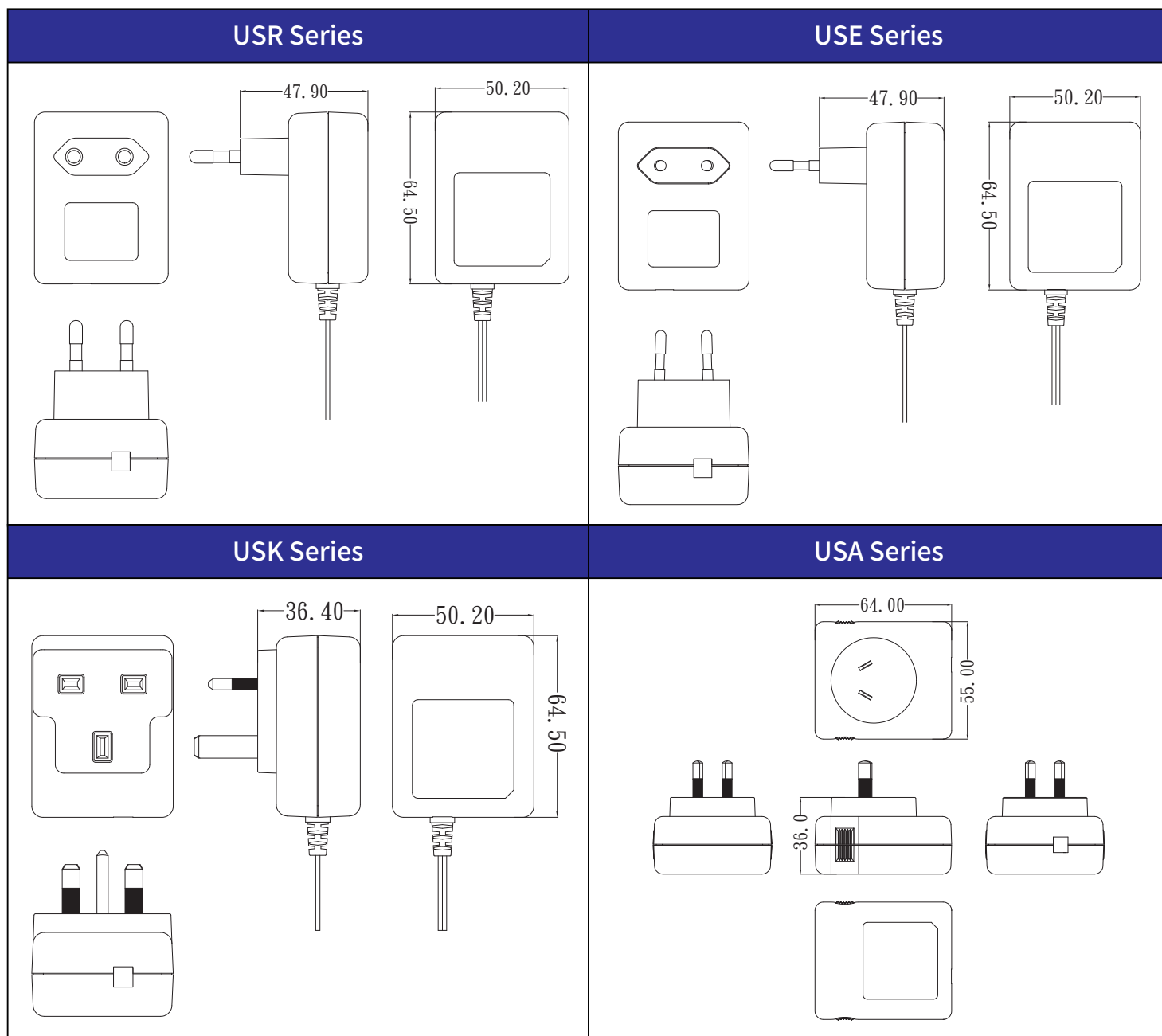
■ Measurement condition

1. Measurements shall be made with an oscilloscope with 20MHz bandwidth.
2. Outputs shall be bypassed at the connector with a 0.1uF ceramic disk capacitor and a 10uF electrolytic capacitor to simulate system loading.

————— more detail on next page —————

Mechanical Spec

US112 Series	US312 Series
<p>29.50 63.90 49.50</p>	<p>29.50 63.90 49.50</p>
USL112 Series	USL312 Series
<p>64.00 50.00 34.80</p>	<p>64.00 50.00 34.80</p>
USY Series	USZ Series
<p>29.50 63.90 49.50</p>	<p>64.00 50.00 34.80</p>



— the following blank —

■ Please contact our sales department for details of each model ■